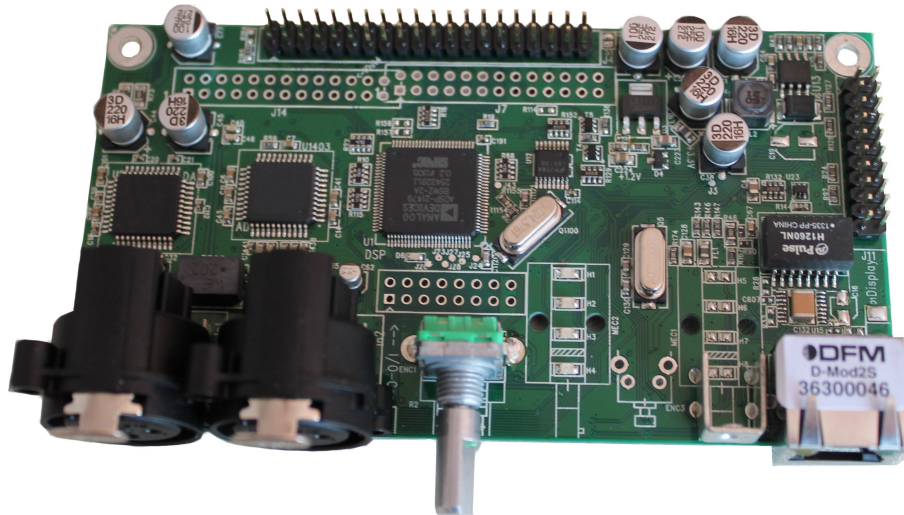


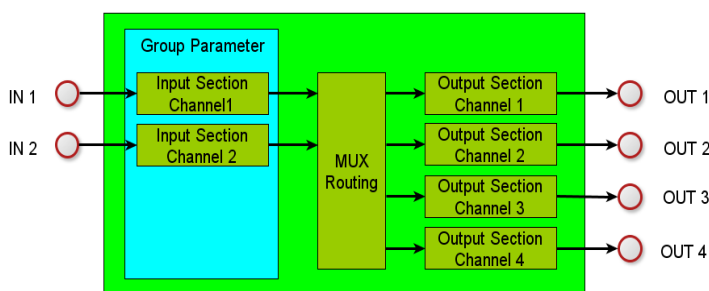
Building high class network and DSP powered audio systems made easy with the new DMOD2SX module from DFM



The DMOD2SX module is the new supreme class of our DSP-Module series. This module comes with our powerful 4. Generation DSP core technology featuring 96 kHz audio clock frequency and extended network capabilities. Thanks to it's on board 2 input channels (analogue + digital) and 4 analogue output channels there is no need for external AD or DA circuits. Since the DMOD2SX is designed to create with the X-PRO, M-PRO and S-PRO amplifier modules from Pascal you also can use it with the amplifier module of your choice.

The compact DMOD2SX module with its comprehensive performance is the right choice for the professional manufacturer who design networked PA systems. The module offers outstanding operating and controlling capabilities for large and complex PA systems. The PC software "NetControl" allows therefore grouping and remote controlling of various modules. The outstanding audio experience is based on well designed analog circuits and an internal 96 kHz high performance audio processing.

DMOD2 DSP Core 2x4



PC-Software:

- Controlling multiple devices
- Group features
- OEM branding option
- Support for NetControl

DSP:

Input (User configuration)

- Adjustable input level; Mute function
- 15 EQ (IIR) filter; Frequency, Gain and Quality are adjustable
- Input delay (up to 400ms)

Output (Manufacturer configuration)

- 512 Taps FIR-Filter per channel
- Output level is adjustable
- Flexible routing with Addition/Subtraction
- 2 crossover filter (up to 8th order)
- 10 EQ (IIR) filter; Frequency, Gain and Quality are adjustable
- Output delay up to 40ms
- Phase is invertible
- RMS Limiter; Threshold/Attack/Release are adjustable

Network Options:

- 10/100MBit Ethernet
- USB (serial)
- (AVB future)

Hardware Options:

- Up to 2 Inputs
- Up to 4 Outputs
- Optional realtime speaker-measurement
- Adaptor-Board to connect 2 S-PRO2

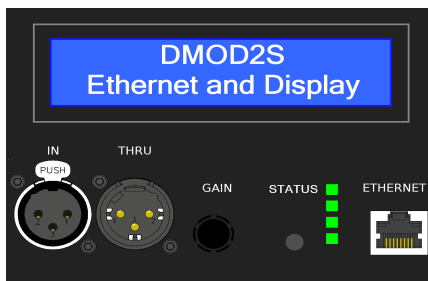
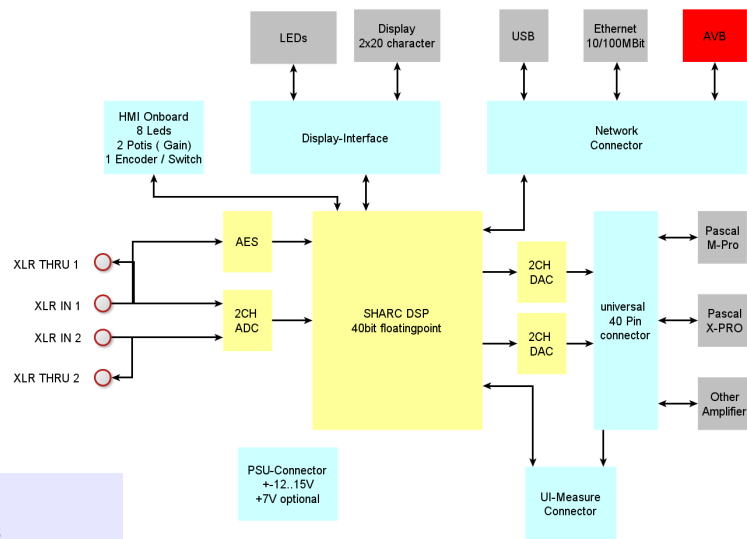
Applications:

- Designed for self powered speakers
- Ready to use for Pascal S-PRO, M-PRO and X-PRO amplifier series
- Other amplifier can also be easily adapted
- Direct with on-board connectors 90° with Gain Poti, Preset LEDs, Push button

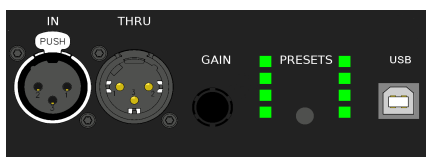
Display Options:

- Usable on-board LEDs and button
- Usable external 2x20 character display, encoder on board (preset change, Gain)
- Custom display
- Usable external LEDs

DMOD2S schematic



DMOD2S Ethernet Version



DMOD2S USB Version

Technical Datas:

AD

- max Input Level +15 dBU
- SNR@-60dB/1kHz -121 dBA

DA

- max Output Level +12.5dBu
- SNR@-60dB/1kHz -119 dBA

Dimension

- WxDxH in mm 130 x 65 x 30

