

# eela-audio

**Broadcast products**

**EA 815/1**  
Active telephone hybrid

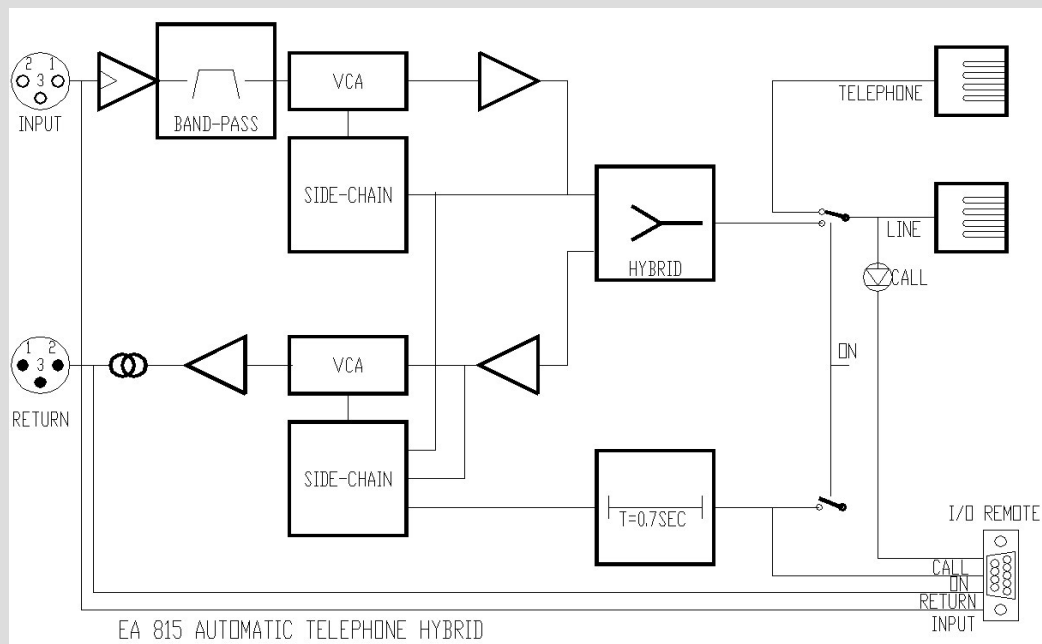


## PRODUCT INFORMATION

The EA815/1 is a simple, though high quality, analogue telephone hybrid.

The hybrid has a built-in limiter and bandpass filter and can be used in combination with analogue telephone lines (POTS). Voice Control is used together with preset balance, to achieve the best damping of the send signal. The unit has balanced line in- and outputs on XLR-type connectors and Opto isolated remotes on a D-9 connector. The send and receive gain is adjustable through the front panel. The latest version comes with a wide range "universal" power adaptor (Euro, US/Japan/UK, 100..240Volts, 50/60 Hz).

A 19" rack mount kit for one or 2 units is also available.



Please contact your local EA dealer for more information about Eela Audio products.

<http://www.eela.nl> e-mail: [sales@eela.nl](mailto:sales@eela.nl)

## 19" mounting accessories:

The rack mount kit EA 800/1 allows rackmounting of 1 EA unit. Included with this kit is an empty housing.

With the help of the EA 800/2 brackets, 2 pcs. 800 series units can be mounted together into a 19" rack.

### EA 800/1

19" rack mount kit, including empty housing



19" mounting brackets for 2 EA800 units

#### General Specifications EA800 / EA900 series

##### **Power Supply:**

EA862: 220V mains  
others: with power adapter, 2 x 18V AC  
available in EU, UK, US versions

##### **Dimensions:**

Width: 200 mm / 19" (483 mm)  
Depth: 155 mm  
Height: 1U

##### **For information and prices please contact:**



#### Other products in these series

##### **Amplifiers:**

EA811 Balancing Amplifier / RIAA Pre-amp.  
EA820 Input / Output balancing unit  
EA825 Mono Distribution Amplifier  
EA853 Studio Interface / Headphone Amplifier  
EA925 6 Way Stereo Distribution Amplifier

##### **Telephone Interfaces:**

EA815/1 Electronic Telephone Hybrid  
EA915X DSP Telephone Hybrid

##### **Others:**

EA921 Modulation Limiter  
EA946 Modulation Guard  
EA956/957 Selector Units  
EA862 Red-light Signalling Unit 220V