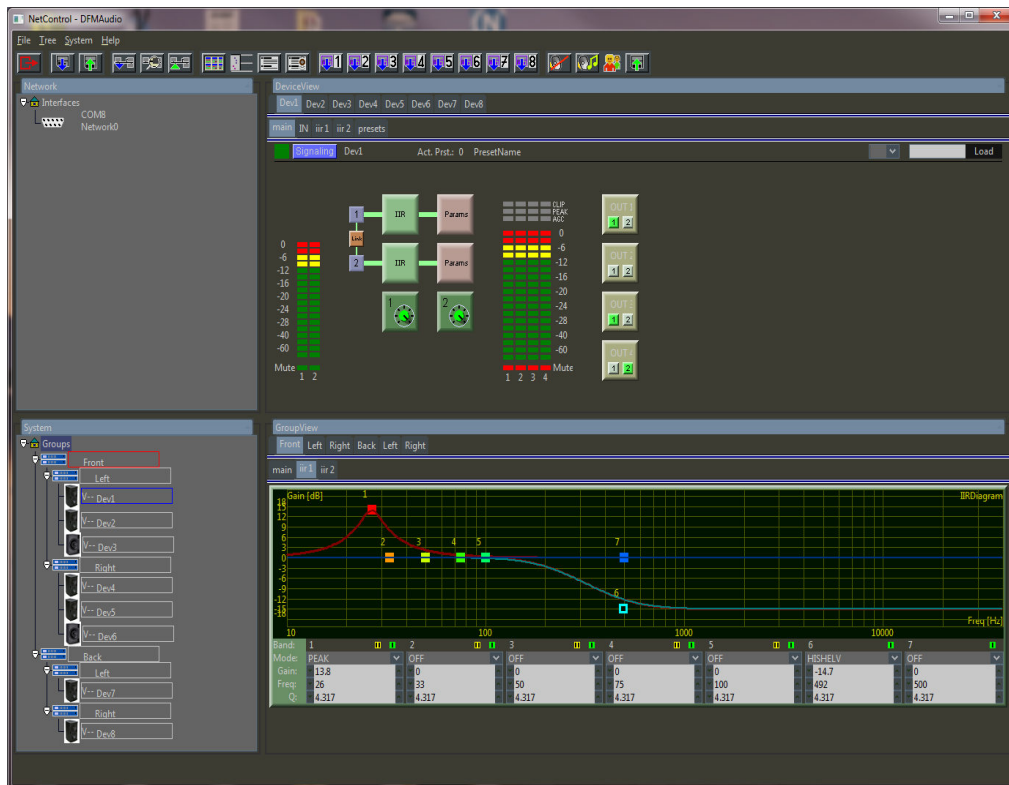


NetControl System Overview

1 Overview:

NetControl is a universal Remote-Software for DFM Products supporting different devices. The software has two modes for OEM-Manufacturers and end user.



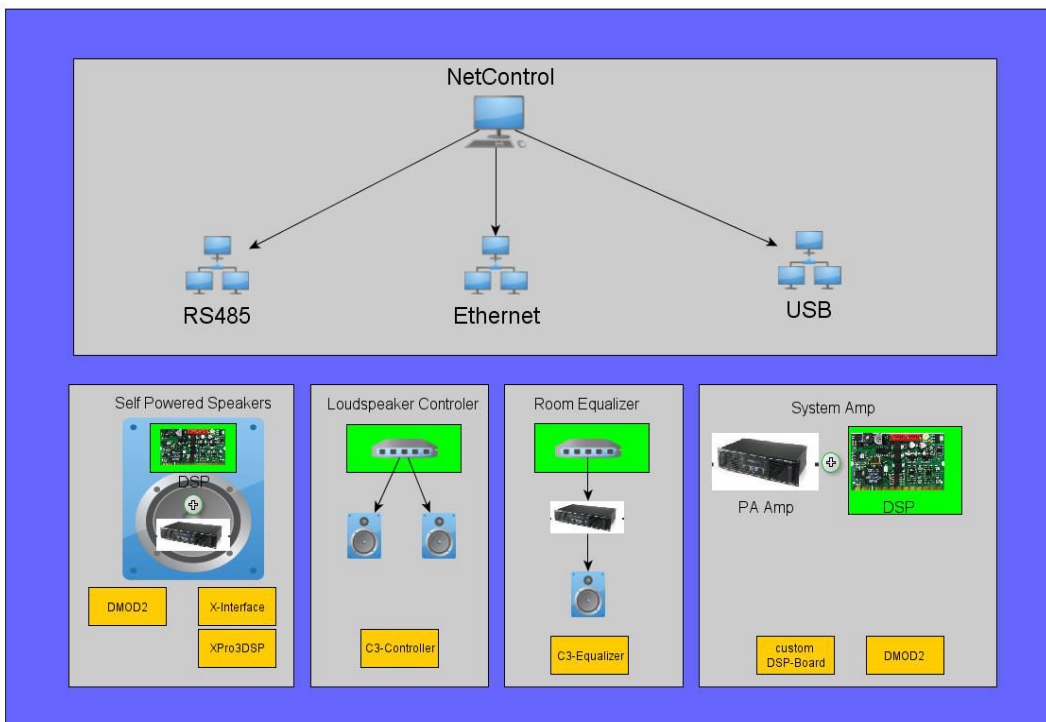
2 Key-Features:

- Support for virtual Systems (devices are offline configurable)
 - automatic synchronizing between virtual and real devices
 - storing/loading of virtual systems
 - loading of virtual systems via snapshot
- grouping
 - up to 2 levels
 - Gain, Mute, Delay, IIR-Filter
- Support for different DSP-module types
 - Active Speaker,
 - Loudspeaker Controller,
 - Room Equalizer
 - System amplifier in one System
- Interfaces
 - RS485/Serial Port

- up to 30 devices per serial port
 - support for up to 10 serial ports
 - daisy chaining with price efficient RJ45 cable
 - automatic address assignment (no configuration needed)
- Ethernet 10/100 Mbit
- USB
- OEM branding
 - own XML-Bases GUI design
 - Manufacturer branding → no control of other manufacturer
 - OEM can create own product names for the same DSP-module (MID12,SUB15 ..)
- DSP functions
 - X-Over up to 48dB (etc. LR-Filters)
 - IIR (Peak, High/Low-pass, Shelving)
 - Compressor / Limiter
 - FIR-Filters
 - Gain, Mute, Phase, Delay
- Libraries
 - Preset-Libraries
 - real Speaker-Libraries (controller)

3 System Overview

NetControl supports different device types and different network interfaces.

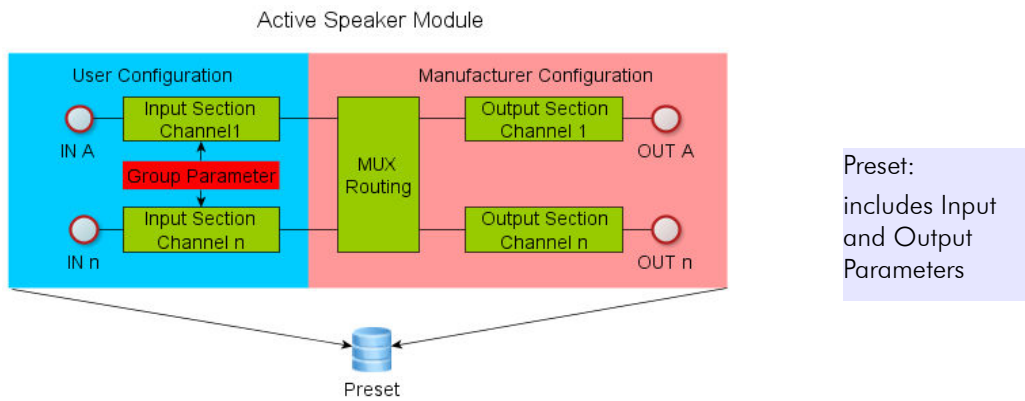


4 Firmware / Device Types

User-Configuration:	User can modify the parameters
Manufacturer-Configuration:	Only Manufacturer can modify the parameters

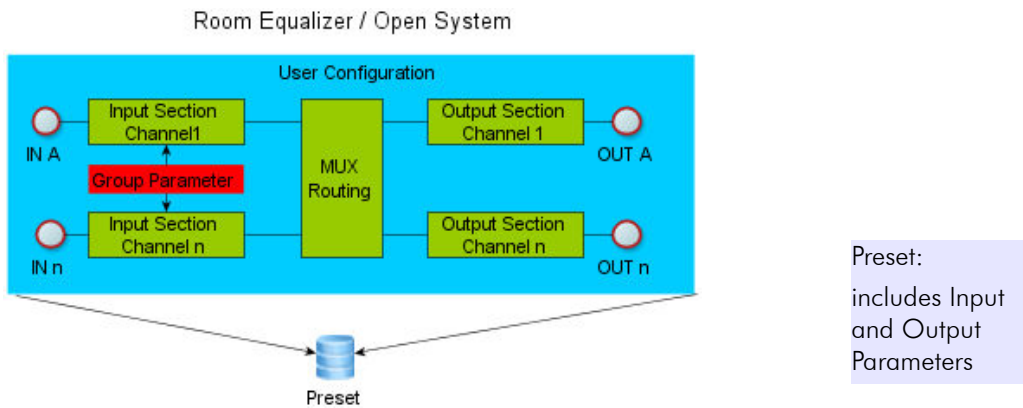
4.1 Active Speaker Module

NetControl (User Features)	Device (User Features)
Loading/Storing presets	Loading presets
Modifying user parameters (Input + Group)	Level Controls
Dumping preset library	



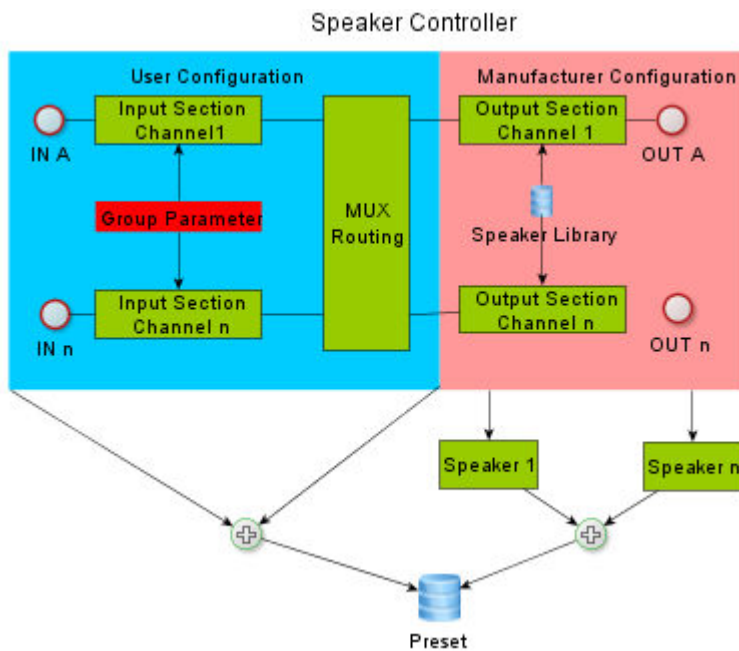
4.2 Room Equalizer / Open System

NetControl (User Features)	Device (User Features)
Loading/Storing presets	Loading/Storing presets
Modifying all parameters (Input + Output + Mux + Group)	Modifying parameters (Input + Output + Mux)
Creating preset libraries	
Dumping preset library	



4.3 Loudspeaker Controller

NetControl (User Features)	Device (User Features)
Loading/Storing presets	Loading/Storing presets
Modifying input parameters (Input + Mux + Group)	Modifying Input + Mux parameters
Loading speaker types for each output	Loading speaker types for each output
Creating preset libraries	
Dumping preset library	
Dumping speaker library	



Preset:
includes input parameters and speaker type for each output

DFM GmbH
Designhaus für Mikroelektronik

Industriestraße 25
77972 Mahlberg

Germany

Phone: +49 (0)7825 8693 200
Fax: +49 (0) 7825 8693 229
E-Mail: info@dfm-audio.com